

WinCAPS InSERT Player

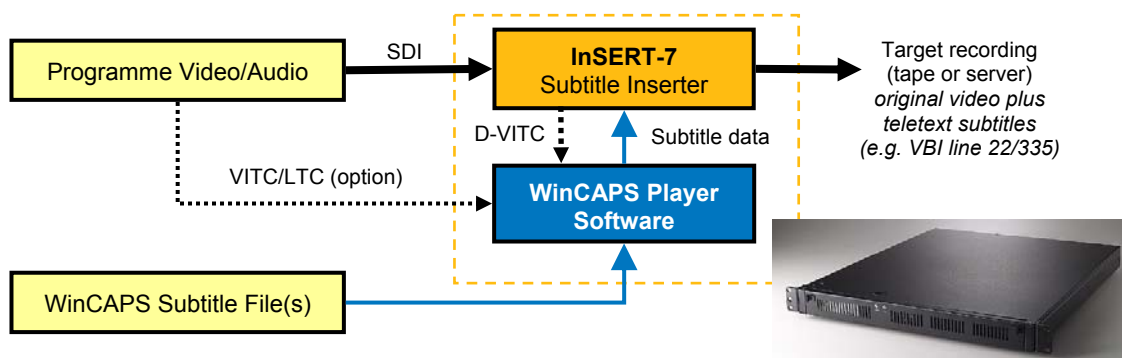
The WinCAPS InSERT Player is a self-contained subtitle playout and inserter unit for off-line dubbing of teletext subtitles using tape or a video server.



The unit features SysMedia's InSERT-7 broadcast quality data inserter card (SDI or PAL), housed in an industrial rack mount chassis. The user interface is via a standard web browser and includes a simple global timecode re-synchronisation function to allow for offset between the prepared subtitle file and the master video.

As well as teletext subtitles, a teletext index page can also be included if desired. There is also an option to include an InVISION caption generator (SDI only) to allow simultaneous dubbing of both open captions and teletext subtitles.

- **Self-contained playout and insertion**
- **Simple load-and-go operation**
- **Simultaneous insertion of multiple files/pages/languages**
- **Caption generator add-on option**



WinCAPS InSERT Player – typical use

Technical specifications

Subtitle format (teletext)	World System Teletext, 625 line, EN 300706, CCIR Teletext System B, level 1, 1.5 or 2.5 Maximum 32 data lines in VBI range 7 to 22 & 320-335, serial or parallel transmission "Index" page selectable for each job, page creation/editing using WinSPRITE software (available as optional extra) Easy selection of saved sets of configuration parameters using standard configuration set-up tables User configurable page number, block mode and scroll mode subtitles including add-ons Up to 4 simultaneous subtitle streams can be supported allowing multiple languages on separate page numbers
Option (open subtitles)	Character generator card (SD SDI) for simultaneous burning in of open-subtitles and insertion of teletext subtitles. Open subtitles rendered according to WinCAPS processes using standard Windows Fonts
Video I/O	270 Mbps SDI EBU tech 3267 SMPTE 259M (800mV into 75 ohms), separate monitor output <i>PAL unit also available</i>
Timecode input	D-VITC (via SDI input) or VITC/LTC (via optional timecode reader card)
Temperature range	Operating 0–40°C / Storage -20–60°C
Power supply	100-264 VAC, 50-60Hz Option: dual (redundant) hot-swappable PSU (2U model only)
Size	Standard: 1U: 482 x 44 x 500mm (packed: 66 x 61 x 18 cm, approx weight 11 kg) Option: 2U: 482 x 88 x 450mm (packed: 62 x 58 x 21cm, approx weight 16 kg)

